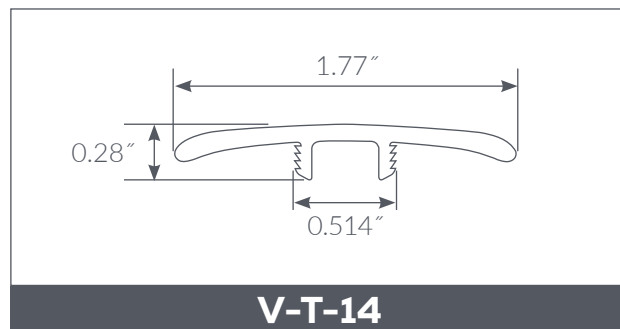


PROFILE SPECS

T-Moldings are used to fill the gap between floors of equal height.

Used with floors ranging from 2-5mm.



Surface: Ultra wear-resistant | **Core Material:** Rigid PVC

INSTALLATION GUIDE

1. Install the flooring leaving a 1-1/8" gap between the two floors for the t-molding installation.

2. Measure and trim to fit.

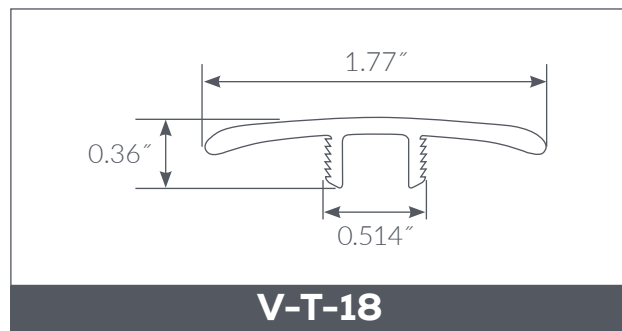
3. Center the track between the flooring leaving a 5/16" spacing between the track and floor planks. Screw track to subfloor using included screws (or glue down with construction adhesive).

4. Starting at one end, press the molding into the track inching along the length of the molding. *It will NOT snap in all at once.*
You may also use a rubber mallet.

PROFILE SPECS

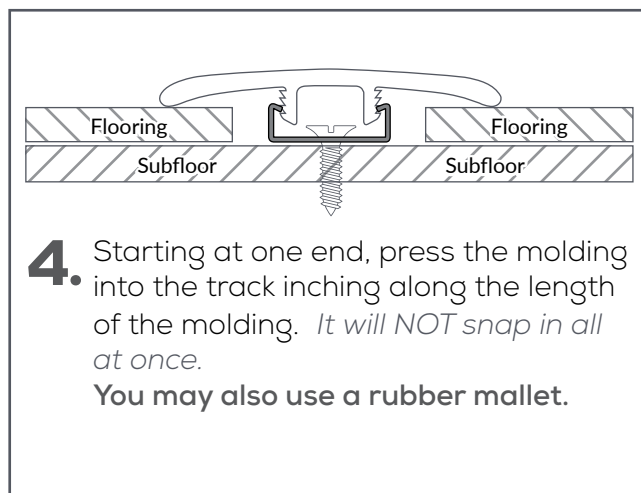
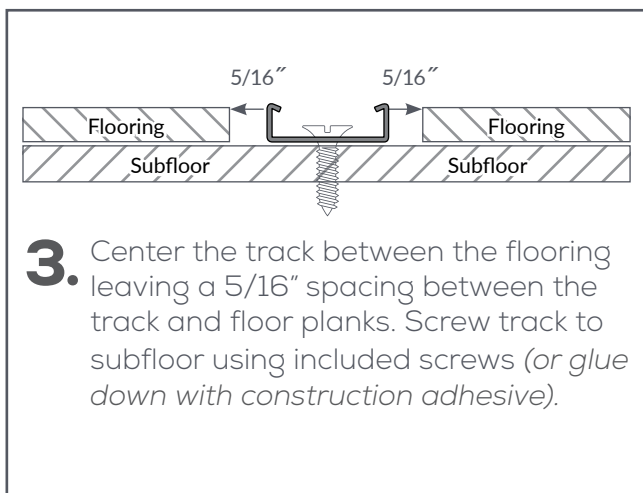
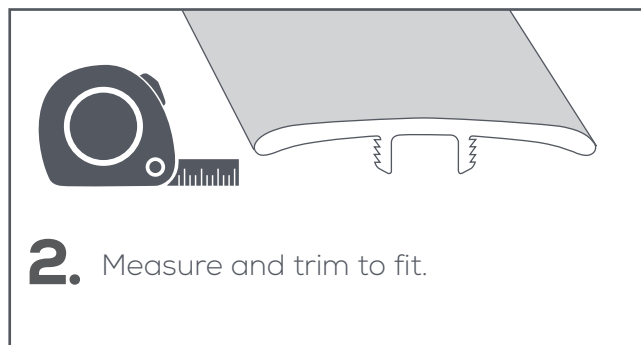
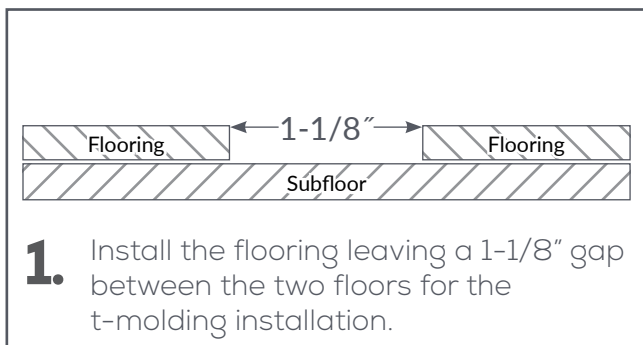
T-Moldings are used to fill the gap between floors of equal height.

Used with floors ranging from 6-8mm.



Surface: Ultra wear-resistant | **Core Material:** Rigid PVC

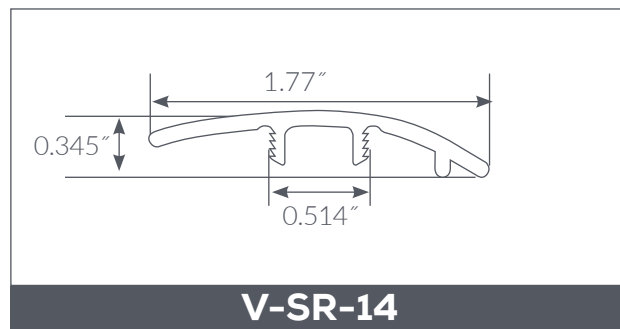
INSTALLATION GUIDE



PROFILE SPECS

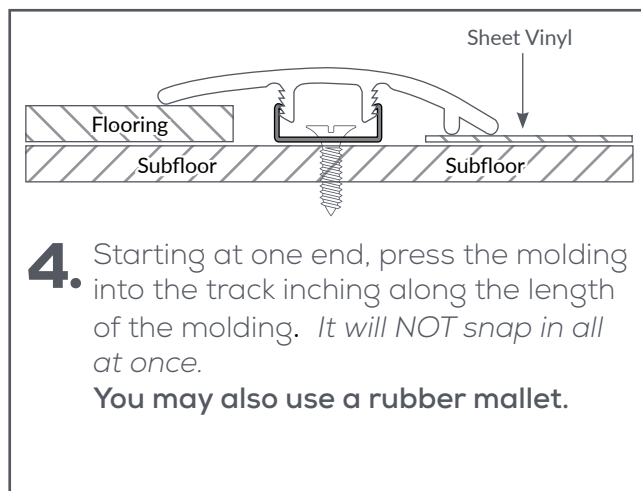
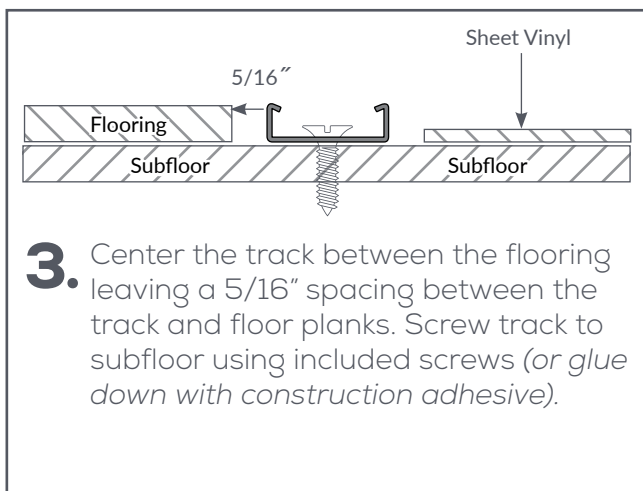
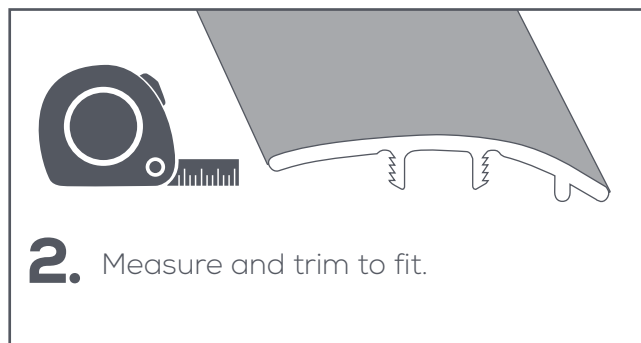
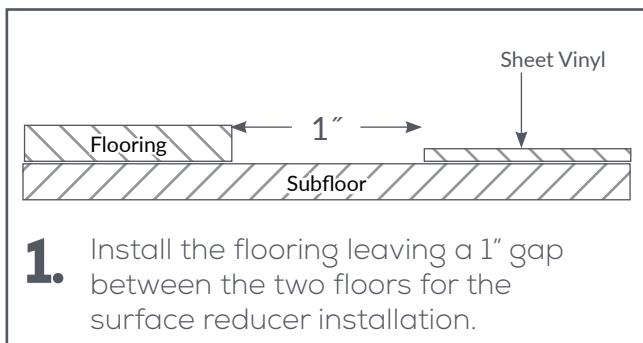
Multipurpose reducers are used to fill the gap between two floors of unequal heights.

Used with floors ranging from 2-5mm.



Surface: Ultra wear-resistant | **Core Material:** Rigid PVC

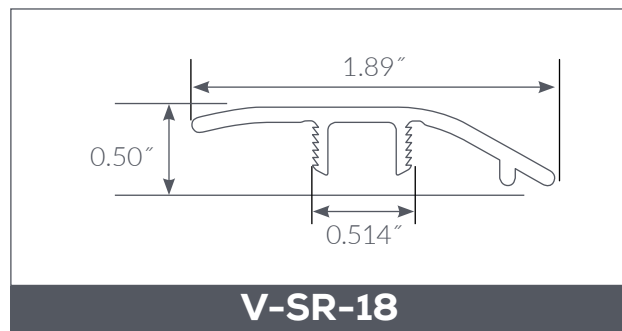
INSTALLATION GUIDE



PROFILE SPECS

Multipurpose reducers are used to fill the gap between two floors of unequal heights.

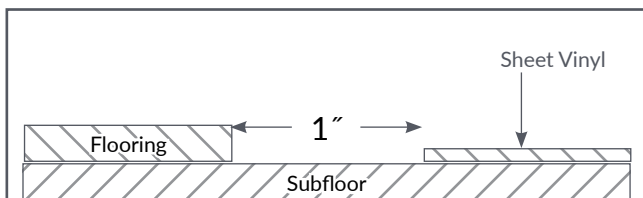
Used with floors ranging from 6-8mm.



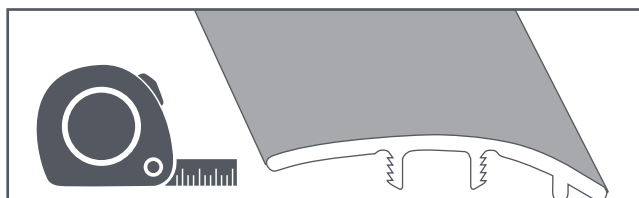
V-SR-18

Surface: Ultra wear-resistant | **Core Material:** Rigid PVC

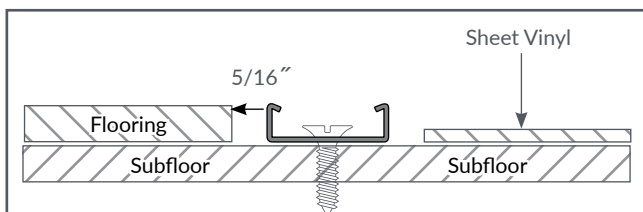
INSTALLATION GUIDE



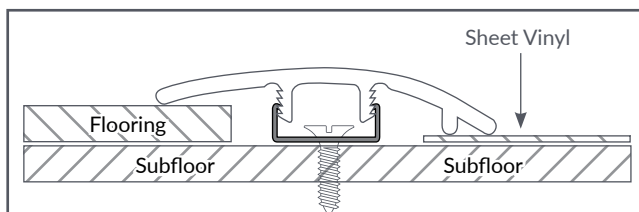
1. Install the flooring leaving a 1" gap between the two floors for the surface reducer installation.



2. Measure and trim to fit.



3. Center the track between the flooring leaving a 5/16" spacing between the track and floor planks. Screw track to subfloor using included screws (or glue down with construction adhesive).

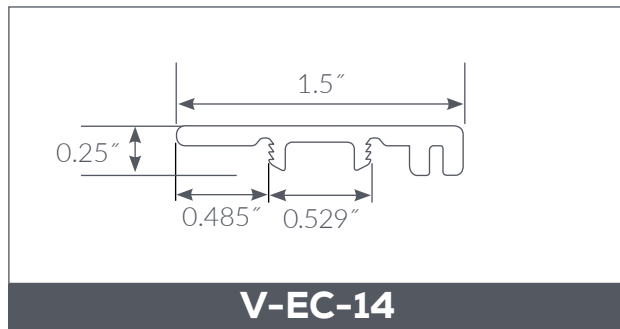


4. Starting at one end, press the molding into the track inching along the length of the molding. *It will NOT snap in all at once.*
You may also use a rubber mallet.

PROFILE SPECS

End caps are used to fill the gap between the floor and carpet, hearths or against sliding doors.

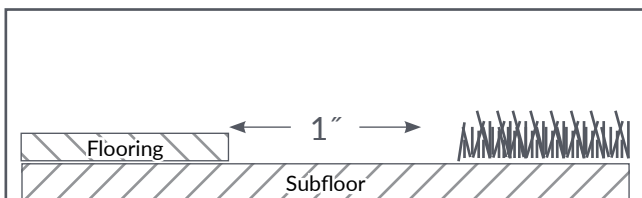
Used with floors ranging from 2-5mm.



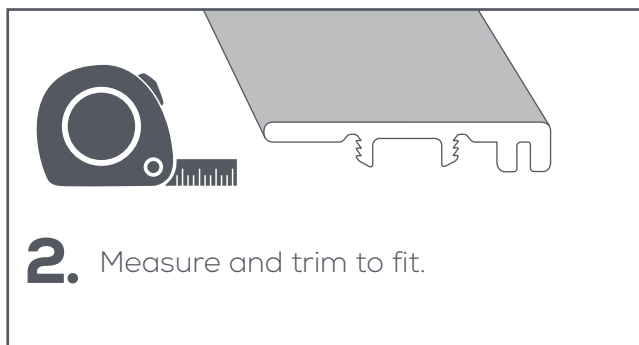
V-EC-14

Surface Laminate: Wear resistant | **Core Material:** Rigid PVC

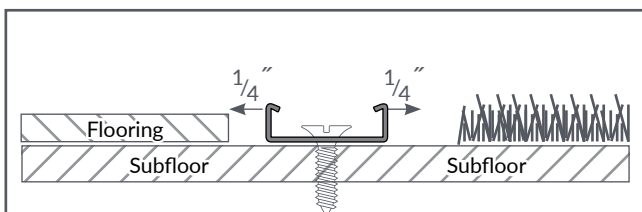
INSTALLATION GUIDE



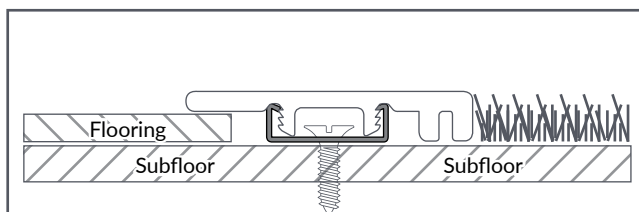
1. Install the flooring leaving a 1" gap between the two floors for the end cap installation.



2. Measure and trim to fit.



3. Center the track between the flooring leaving a 1/4" spacing between the track and floor planks. Screw track to subfloor using included screws (or glue down with construction adhesive).

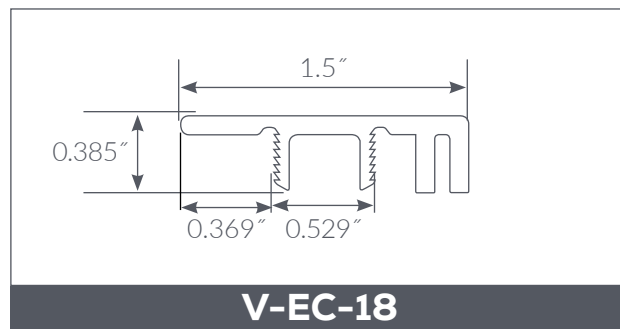


4. Starting at one end, press the molding into the track inching along the length of the molding. *It will NOT snap in all at once.*
You may also use a rubber mallet.

PROFILE SPECS

End caps are used to fill the gap between the floor and carpet, hearths or against sliding doors.

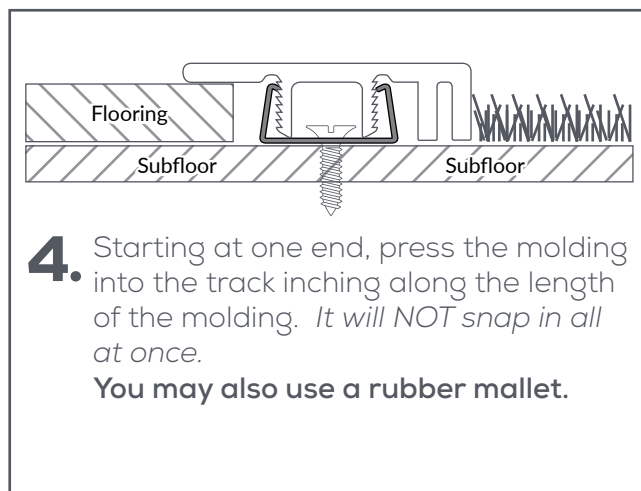
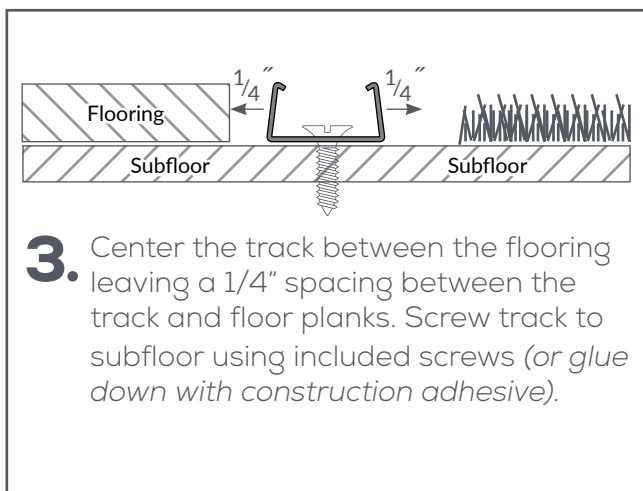
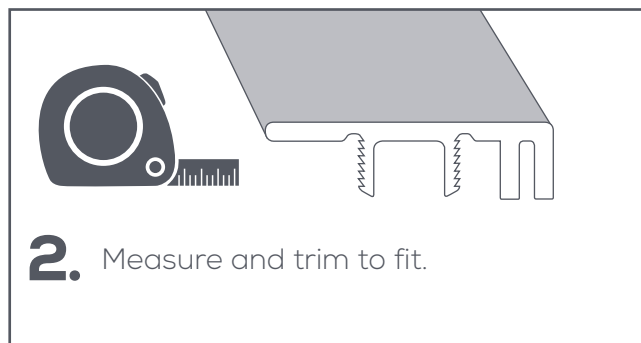
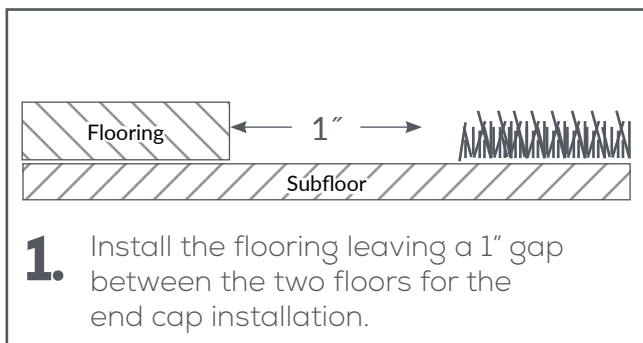
Used with floors ranging from 6-8mm.



V-EC-18

Surface: Wear resistant | **Core Material:** Rigid PVC

INSTALLATION GUIDE

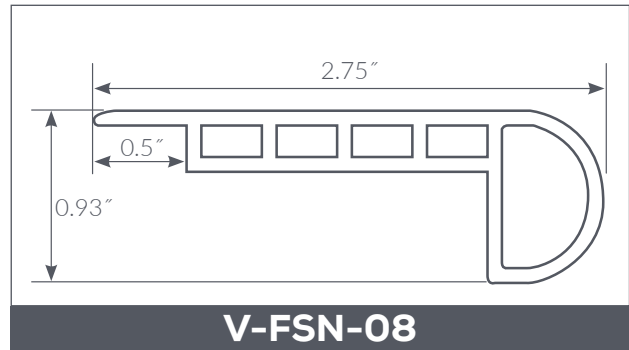


PROFILE SPECS

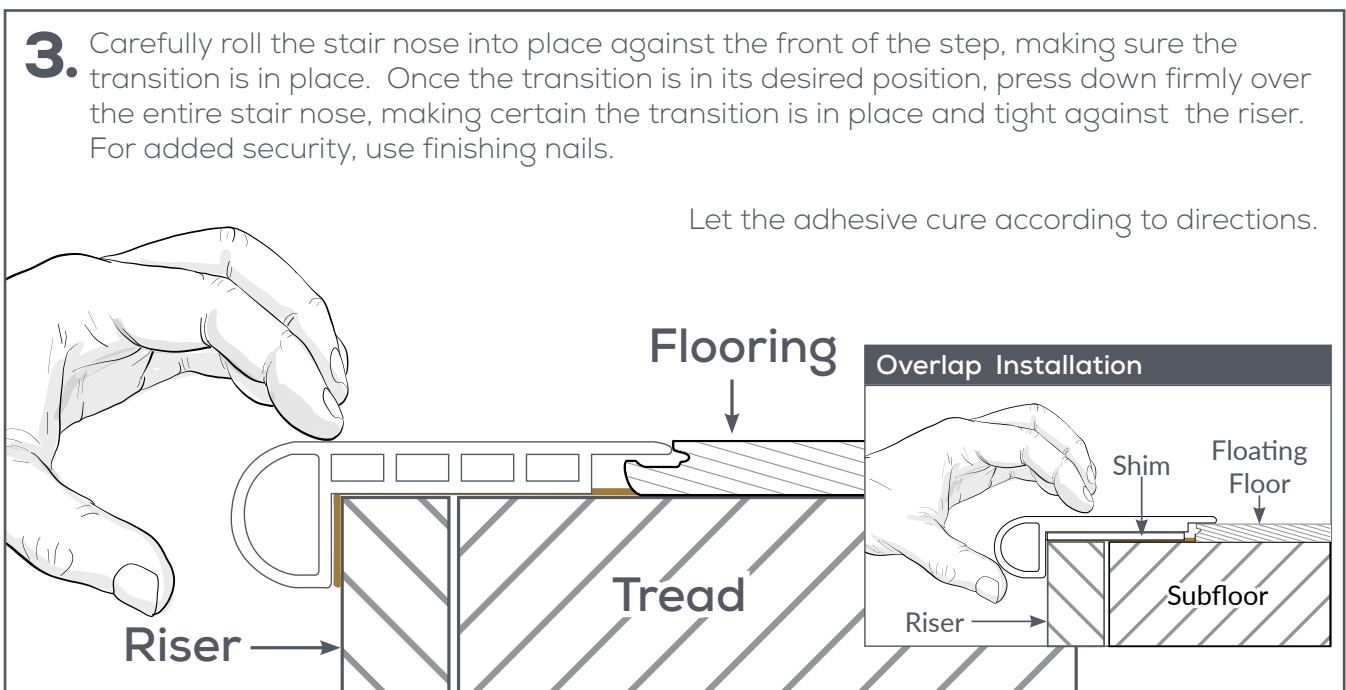
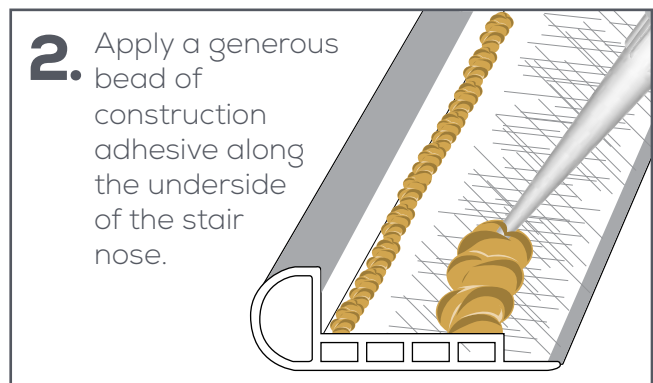
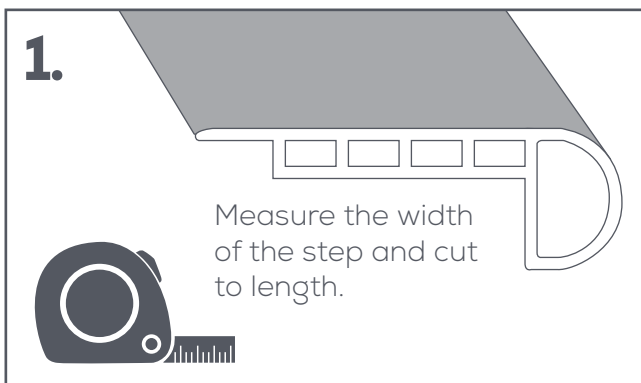
Stair noses are used to finish the end of a step.

** Use as an overlap stair nose on top step by installing enclosed shim.*

Used with APEX/Max 8mm floors (+/- .5mm).



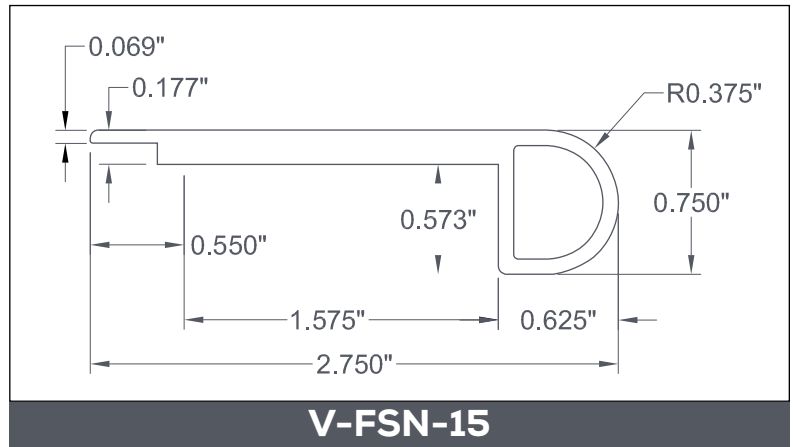
INSTALLATION GUIDE



PROFILE SPECS

Stair noses are used to finish the end of a step on Rigid flooring.

** Use as an overlap stair nose on top step by installing enclosed shim.*



INSTALLATION GUIDE

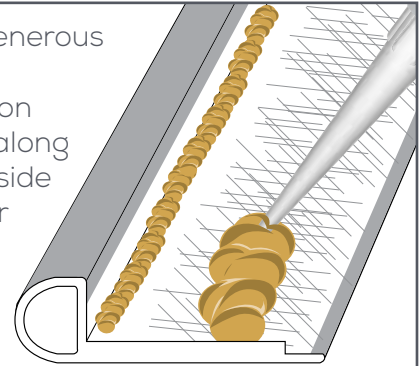
1.

Measure the width of the step and cut to length.



2.

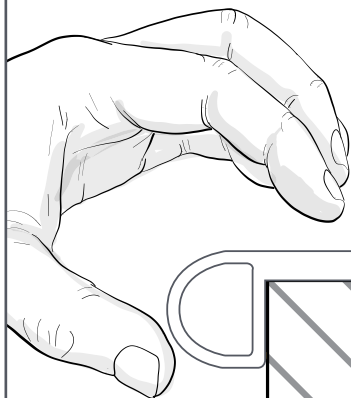
Apply a generous bead of construction adhesive along the underside of the stair nose.



3.

Carefully roll the stair nose into place against the front of the step, making sure the transition is in place. Once the transition is in its desired position, press down firmly over the entire stair nose, making certain the transition is in place and tight against the riser. For added security, use finishing nails.

Let the adhesive cure according to directions.



ADURA® Rigid
Flooring

Overlap Installation

Riser

Tread

Riser

Shim

Floating Floor

Subfloor

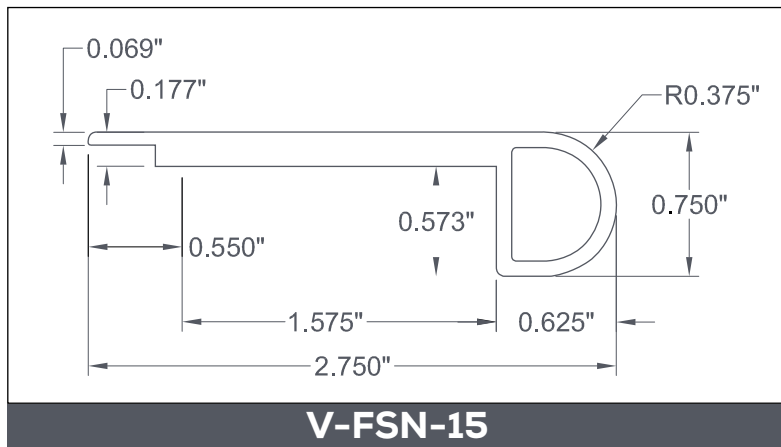
Subfloor

PROFILE SPECS

Stair noses are used to finish the end of a step.

** Use as an overlap stair nose on top step by installing enclosed shim.*

Used with Rigid floors ranging from 4-6mm.



INSTALLATION GUIDE

1. Measure the width of the step and cut to length.

2. Apply a generous bead of construction adhesive along the underside of the stair nose.

3. Carefully roll the stair nose into place against the front of the step, making sure the transition is in place. Once the transition is in its desired position, press down firmly over the entire stair nose, making certain the transition is in place and tight against the riser. For added security, use finishing nails.

Let the adhesive cure according to directions.

Overlap Installation

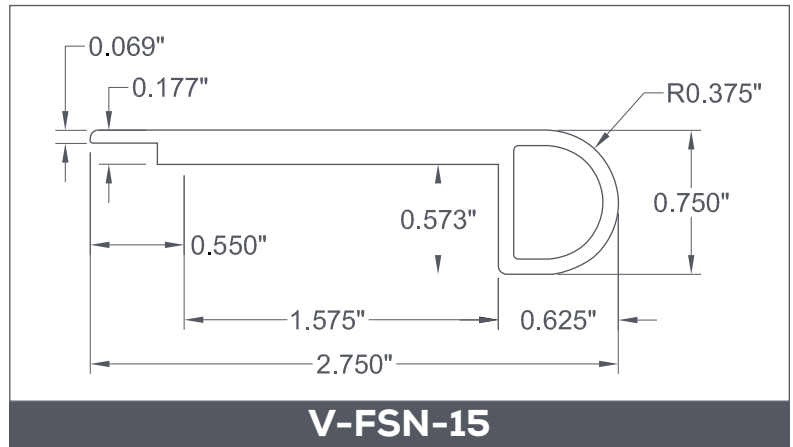
Labels in the main diagram: **Riser**, **Tread**, **Flooring**.

Labels in the inset diagram: **Riser**, **Shim**, **Floating Floor**, **Subfloor**.

PROFILE SPECS

Stair noses are used to finish the end of a step.

Flex top-set only.



INSTALLATION GUIDE

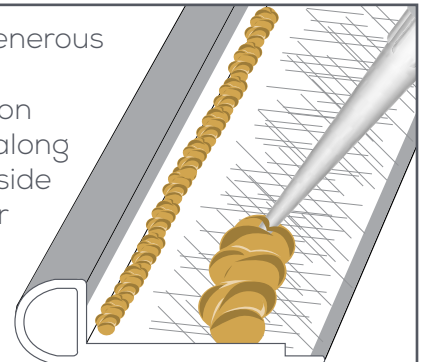
1.

Measure the width of the step and cut to length.



2.

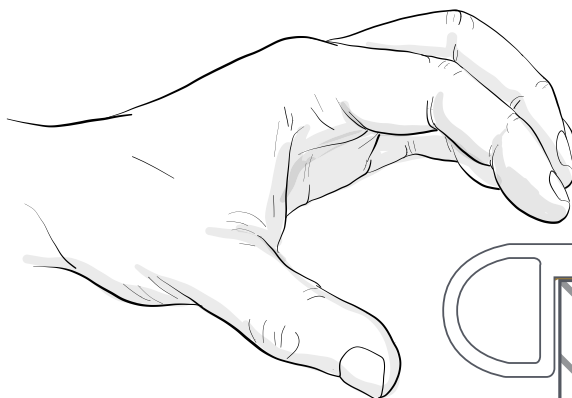
Apply a generous bead of construction adhesive along the underside of the stair nose.



3.

Carefully roll the stair nose into place against the front of the step, making sure the transition is in place. Once the transition is in its desired position, press down firmly over the entire stair nose, making certain the transition is in place and tight against the riser. For added security, use finishing nails.

Let the adhesive cure according to directions.



Riser

ADURA®Flex
Flooring

Tread/Subfloor